

THE NETHERLANDS  
(N E D E R L A N D)

## COMMUNICATION

Concerning:

- approval granted
- ~~approval extended~~
- ~~approval refused~~
- ~~approval withdrawn~~
- ~~production definitely discontinued~~

of a type of device pursuant to Regulation number 7.

**Approval number: E4-7R-02 17084****Extension number: 00**

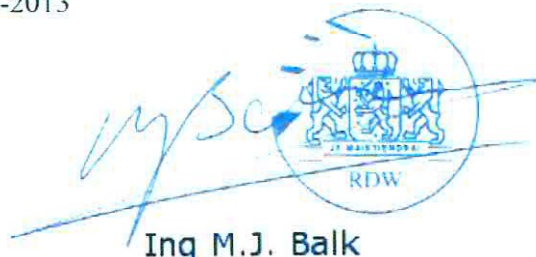
1. Trade name or mark of the device : JUSTTOP
2. Manufacturer's name for the type of device : JS-138704
3. Manufacturer's name and address : Just Auto Lighting Technology Co., Ltd.  
6F., No.2, Lane 163, Shin Yi Road,  
Banciao Dist, New Taipei City, 220  
Taiwan.
4. If applicable, name and address of the manufacturer's representative : --
5. Submitted for approval on : 29 May 2013
6. Technical service responsible for conducting approval tests : DEKRA Certification B.V.
7. Date of report issued by that service : 16 September 2013
8. Number of report issued by that service : 2160136-PHO 13-008-30
9. Concise description:
  - 9.1. By category of lamp: A



- For mounting ~~either outside or inside~~  
~~or both~~ : Outside
- Colour of light emitted : ~~red~~/white
- Number, category and kind of light source(s) : 1 x non replaceable light source (LED)
- Voltage and wattage : 12/24V; 0.5W
- Light source module specific identification code : --
- Only for installation on M1 and/or N1 category vehicles : ~~yes~~/no
- Only for limited mounting height of equal to or less than 750 mm above the ground : ~~yes~~/no
- Geometrical conditions of installation and relating variations, if any : --
- Application of an electronic light source control gear/variable intensity control:
- (a) Being part of the lamp : ~~yes~~/no
- (b) Being not part of the lamp : ~~yes~~/no
- Input voltage(s) supplied by an electronic light source control gear/variable intensity control : 0.7V
- Electronic light source control gear/variable intensity control manufacturer and identification number (when the light source control gear is part of the lamp but is not included into the lamp body) : Just Auto Lighting Technology Co., Ltd.  
JS-138704-CTR
- Variable luminous intensity : ~~yes~~/no
- 9.2. Function(s) produced by an interdependent lamp forming part of an interdependent lamp system:
- Front position lamp : ~~yes~~/no
- R1 Rear position lamp : ~~yes~~/no
- R2 Rear position lamp : ~~yes~~/no
- S1 Stop lamp : ~~yes~~/no
- S2 Stop lamp : ~~yes~~/no
- S3 Stop lamp : ~~yes~~/no
- S4 Stop lamp : ~~yes~~/no
- End-outline marker lamp : ~~yes~~/no
10. Position of the approval mark : See annexed drawing



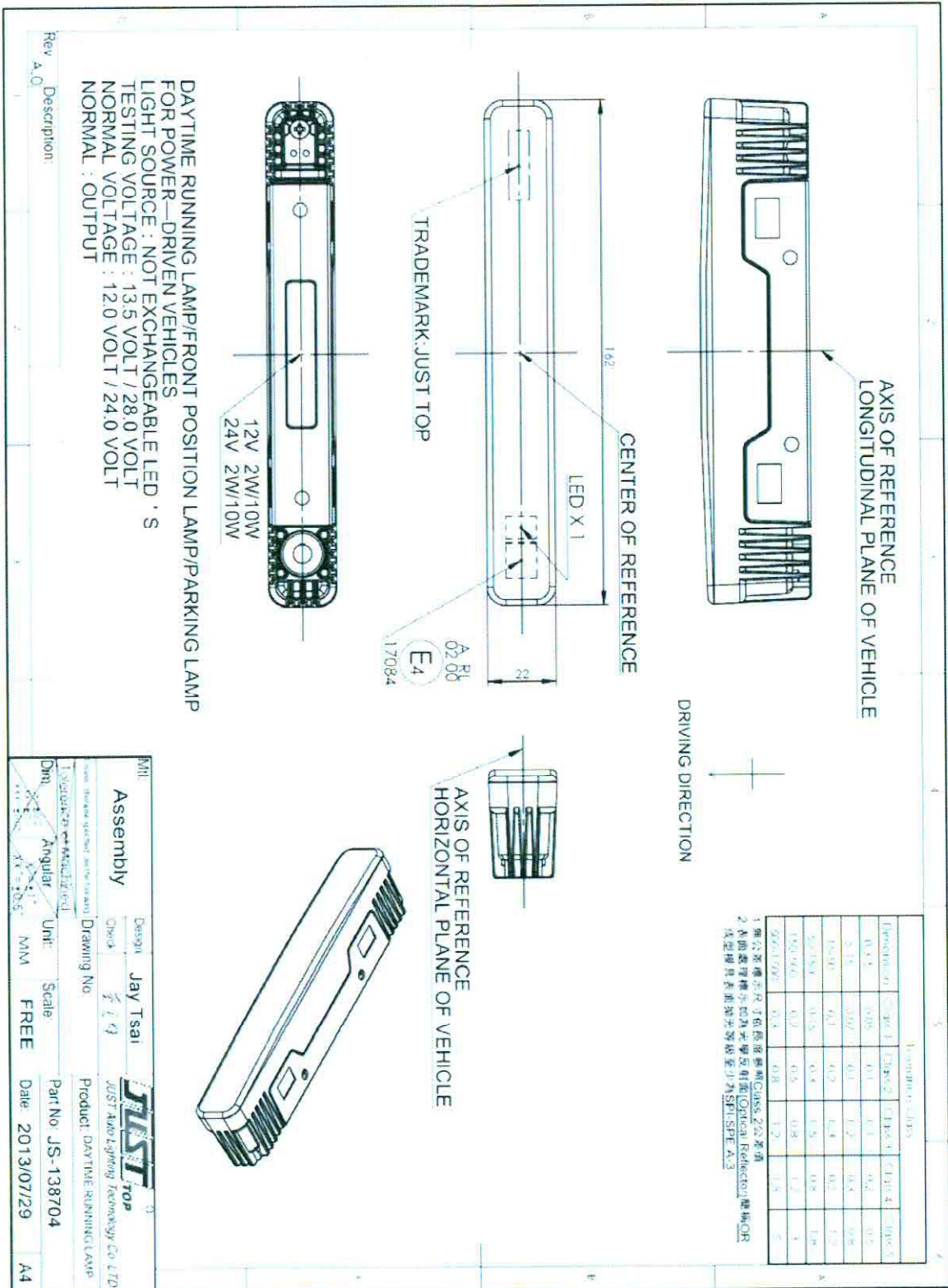
11. Reason(s) for extension (if applicable) : --
12. Approval : granted/~~extended/refused/withdrawn~~
13. Place : Zoetermeer
14. Date : 30-SEP-2013
15. Signature :



Ing M.J. Balk

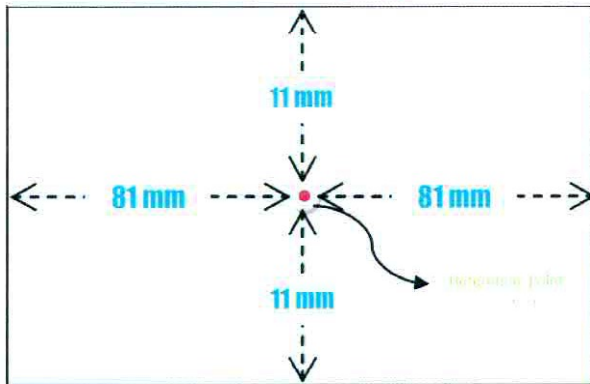
16. The list of documents deposited with the Administrative Service which has granted approval, is annexed to this communication and may be obtained on request.
- 2 drawings No. JS-138704 and Determination of the apparent surface (annexed)
  - Test report as mentioned in item 8.





Determination of the apparent surface

JS-138704 : Daytime running Lamp



THE NETHERLANDS  
(N E D E R L A N D)

## COMMUNICATION

Concerning:


- approval granted
- ~~- approval extended~~
- ~~- approval refused~~
- ~~- approval withdrawn~~
- ~~- production definitely discontinued~~

of a type of daytime running lamp pursuant to Regulation number 87.

**Approval number: E4-87R-00 17084****Extension number: 00**

1. Trade name or mark of the device : JUSTTOP
2. Manufacturer's name for the type of device : JS-138704
3. Manufacturer's name and address : Just Auto Lighting Technology Co., Ltd.  
6F., No.2, Lane 163, Shin Yi Road,  
Banciao Dist, New Taipei City, 220  
Taiwan.
4. If applicable, name and address of the manufacturer's representative : --
5. Submitted for approval on : 29 May 2013
6. Technical service responsible for conducting approval tests : DEKRA Certification B.V.
7. Date of test report issued by that service : 16 September 2013
8. Number of test report issued by that service : 2160136-PHO 13-008-30
9. Concise description:



- By category of lamp : RL
- Number and category and kind of light source(s) : 1x non-replaceable light source (LED)
- Voltage and wattage : 12/24V; 10W
- Application of an electronic light source control gear:
- Being part of the lamp : ~~yes~~/no
  - Being not part of the lamp : ~~yes~~/no
- Input voltage supplied by an electronic light source control gear : 1.4V
- Electronic light source control gear manufacturer and identification number (when the light source control gear is part of the lamp but is not included into the lamp body) : Just Auto Lighting Technology Co., Ltd.  
JS-138704-CTR
10. Position of the approval mark : See annexed drawings
11. Reason(s) for extension (If applicable) : --
12. Approval : granted/~~refused~~/~~extended~~/~~withdrawn~~
13. Place : Zoetermeer
14. Date : 30-SEP-2013
15. Signature :   
Richard van Wingerde
16. The following documents, bearing the approval number shown above, are available on request:
- 2 drawings No. JS-138704 circuit diagram and Determination of the apparent surface (annexed)
  - Test report as mentioned in item 8



